

DH100F Series All-in-one PV+ESS

Features and Advantages



Full-scenario

All-in-one multifunctional integration, supporting PV and generator access, grid-to-off-grid switching.



Ultimate security

Preventative fire strategy with three-level detection and TMG which ensure active firefighting remains effective in the event of a power outage.



Flexible expansion

71~100kwh capacity available for single unit;
Reserved DC expansion interface;
Support AC expansion;



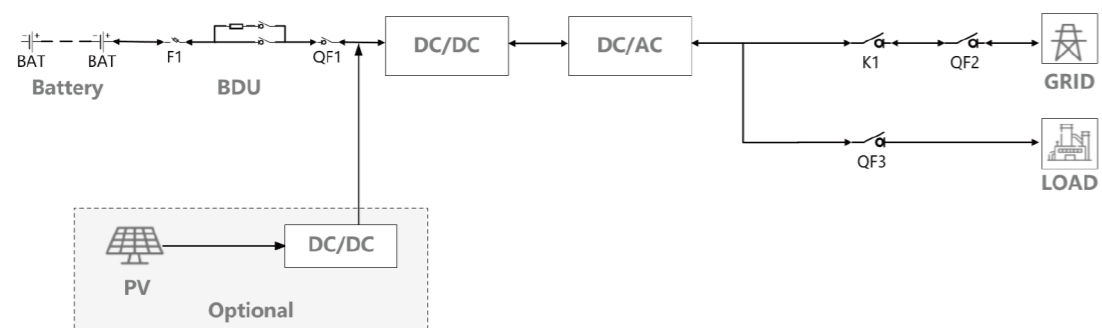
Highly efficient and low-cost

280Ah LFP battery with high energy density.
EMS Intelligent control;
Modular design, backward and bottom output, reduce infrastructure cost

NEW



Topology



Technical Parameters

Model	DH100F-71kWh	DH100F-86kWh	DH100F-100kWh
Battery system specification parameters			
Battery	LFP (280Ah)		
Rated current	140A (0.5C)		
System capacity	71kwh	86kwh	100kwh
AC specification parameters (on-grid/off-grid)			
Rated power	35kW	40kW	50kW
AC rated current	60A	74A	86A
AC rated voltage	230/400V		
Wiring method	3P+N+PE		
Frequency	50Hz/60Hz		
PV access			
Max. input power	25kW *2	30kW *2	35kW *2
Max. current	80A*2		
Input voltage	300~1000V		
MPPT paths	2		
System specification			
Dimension (W*D*H)	1200*1048*2258 mm (lifting ring not included)		
Weight	Approx. 1650kg(TBD)		
Temperature	-20~50°C		
Ingress protection	IP55		
Anti-corrosion grade	C3		
Elevation	3000m (Derating above 2000m)		
Cooling method	Air cooling		
EMScommunications	Ethernet/RS485/CAN/USB		